

Palletizer machine

Dieter Vos & Jonas Thielens

Specialization Preparation programme for Master of Electromechanical Engineering Technology

Introduction of Vos champignons

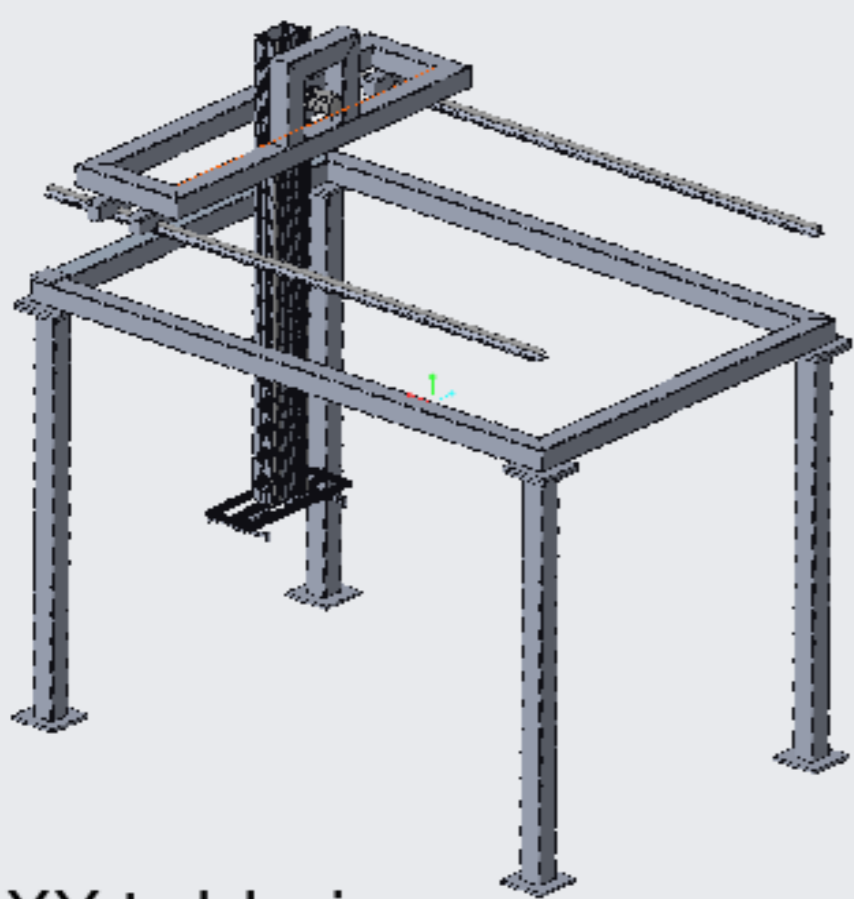
Vos champignons is a family bussines located in Riemst that is specialised in growing, harvesting and distributing mushrooms. All of this is mainly done by hand.



Objective

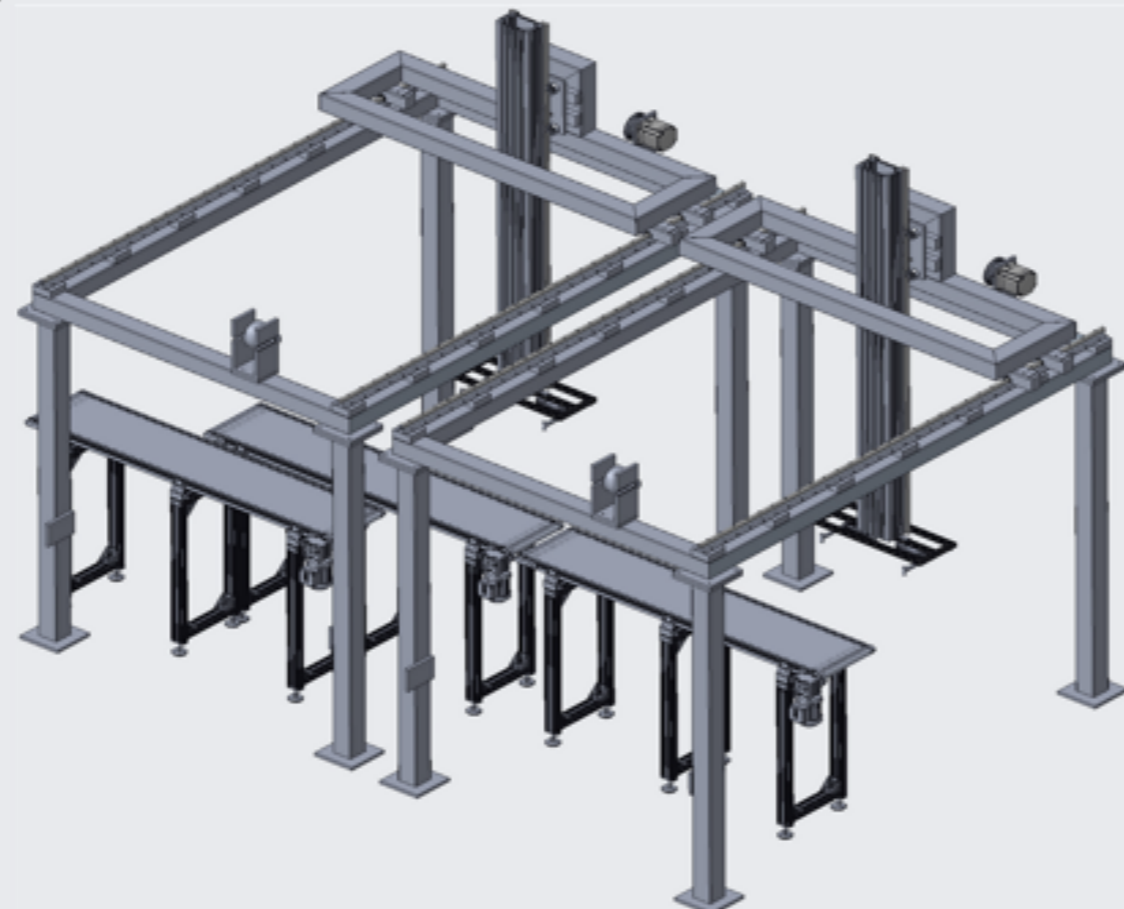
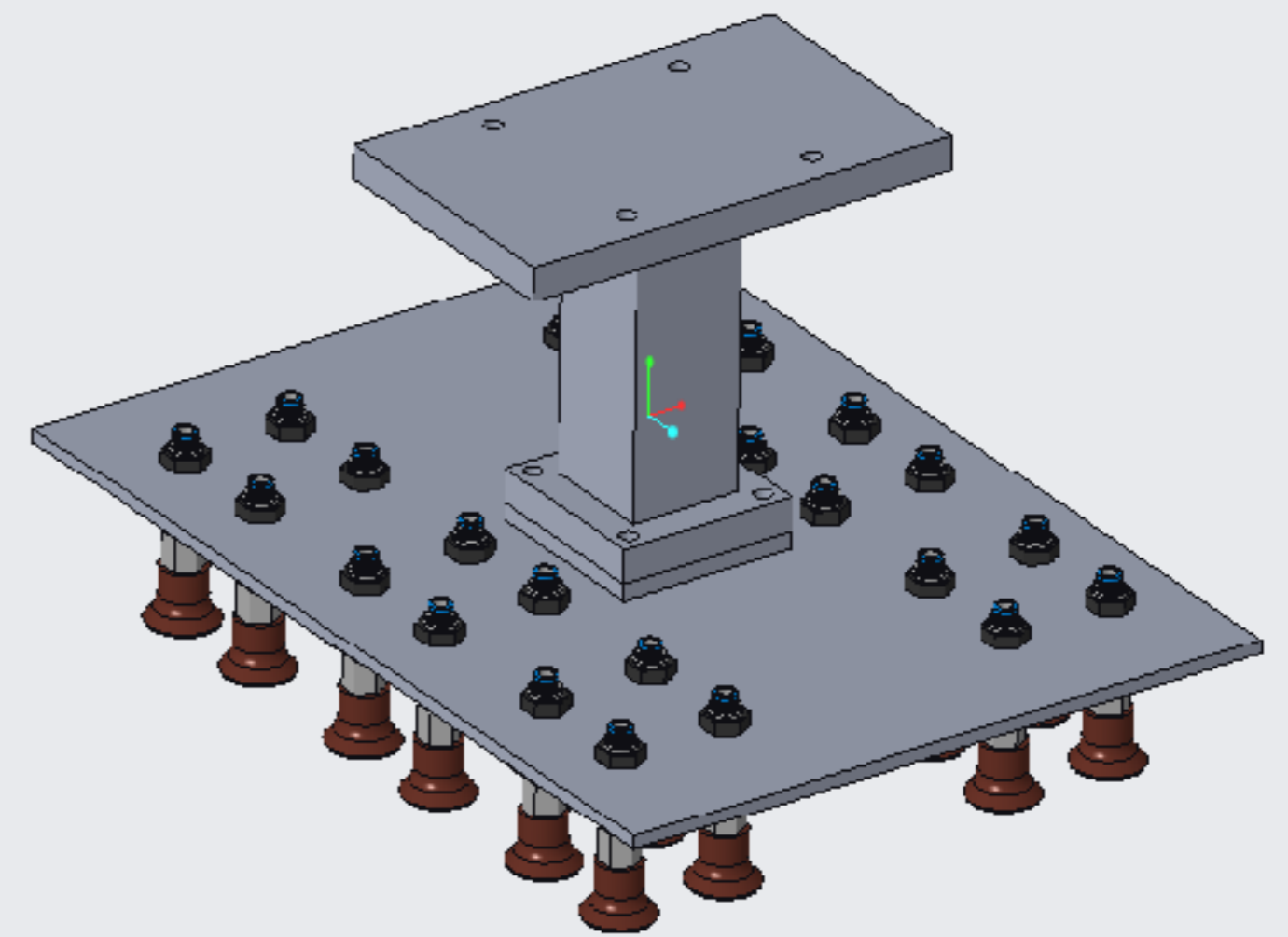
The objective is to design a machine that will automatically fill the europool crates with boxes of mushrooms, this will result in a faster and more efficient process.

Concept

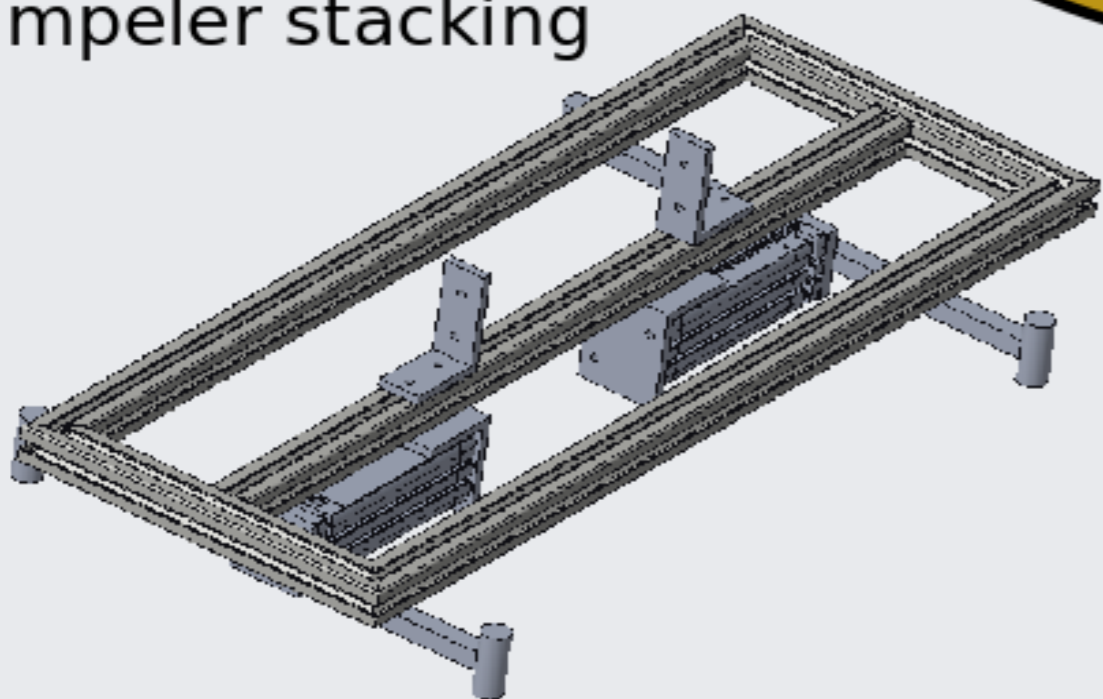


The XY table is used to transport crates from and to the euro pallets

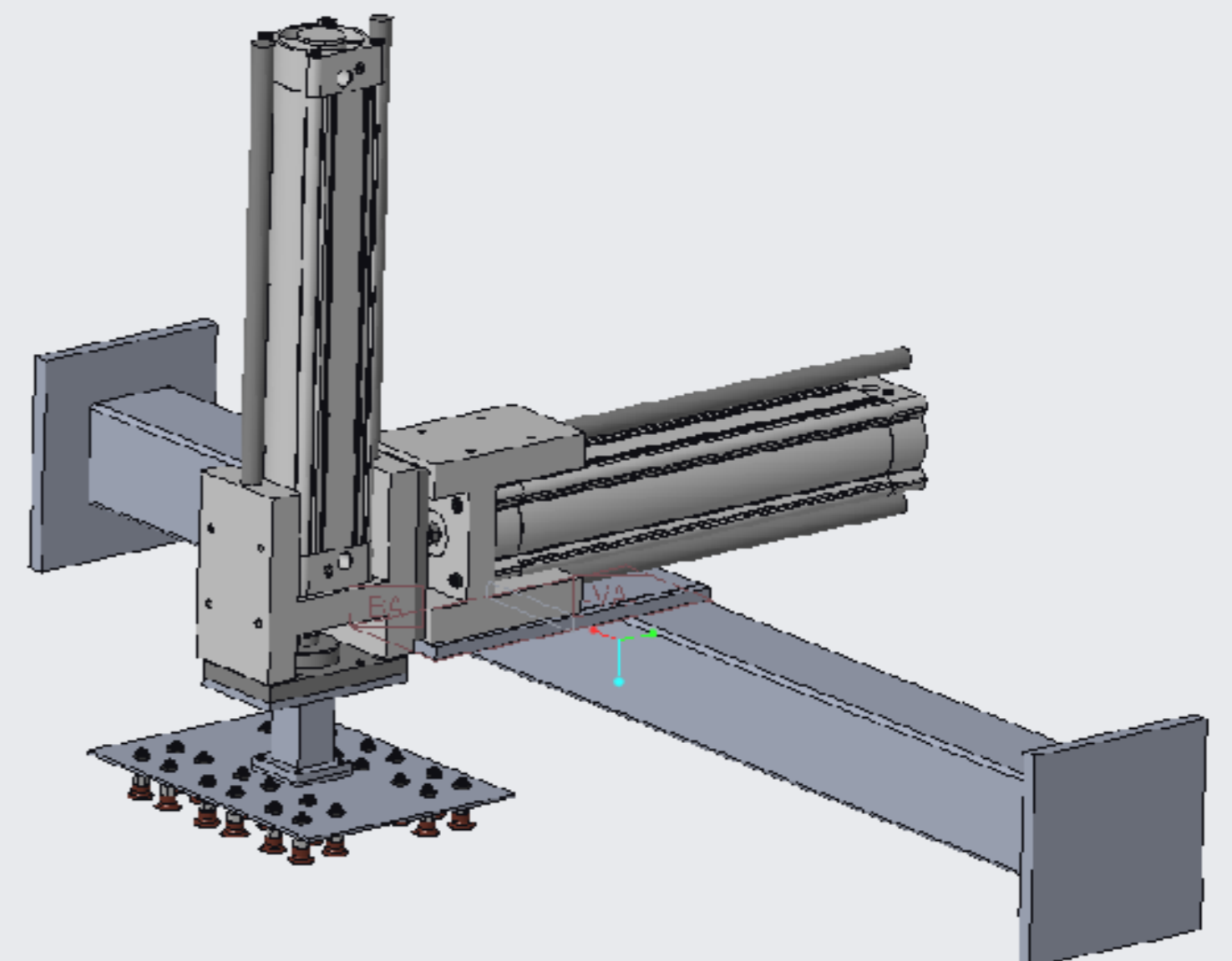
The head is designed to carry boxes of 500g and 250g whilst using all the suction head



This tool will clinch the crates from the inside, resulting in simpeler stacking



The pick and place tool will pick up the mushroom boxes and place them inside the larger "europool" crates.



Supervisors / cosupervisors: Ing. J. Bijnens

Dr. Ing. K. Kellens

Prof. Dr. Ir. M. Daenen

Dr. J. Lievens